



晶采光電科技股份有限公司  
AMPIRE CO., LTD.

## SPECIFICATIONS FOR LCD MODULE

<b>CUSTOMER</b>	
<b>CUSTOMER PART NO.</b>	
<b>AMPIRE PART NO.</b>	<b>AM-800600LTNQW-T00H</b>
<b>APPROVED BY</b>	
<b>DATE</b>	

Approved For Specifications

**Approved For Specifications & Sample**

**AMPIRE CO., LTD.**

**Building D., 2F., No.88, Sec. 1, Sintai 5th Rd., Xizhi Dist,  
New Taipei City 221, Taiwan (R.O.C.)**

**新北市汐止區新台五路一段 88 號 2 樓(東方科學園區 D 棟)**

**TEL:886-2-26967269 , FAX:886-2-26967196 or 26967270**

APPROVED BY	CHECKED BY	ORGANIZED BY

## RECORD OF REVISION

Revision Date	Page	Contents	Editor
2009/07/22	-	New Release	Emil
2009/08/18	4	Correction the brightness of LCM.	Emil
2009/10/14	4	Revise the optical characteristics (response time, chromaticity and uniformity).	Emil
2010/07/05	12	Recommended input timing of LVDS transmitter.	Emil
2010/09/23	20	Added packing drawing.	Eric
2011/04/12	9	Update the DC characteristics.	Emil



## 1. INSTRUCTION

Ampire 10.4" Display Module is a color active matrix TFT-LCD that uses amorphous silicon TFT as a switching device . This model is composed of a TFT-LCD panel , a driving circuit . This TFT-LCD has a high resolution (800(R.G.B) X 600) and can display up to 262,144 colors.

### 1.1 Features

- (1) Construction : a-Si TFT-LCD with driving system, White LED Backlight.
- (2) LCD type : Transmissive , Normally White
- (3) Number of the Colors : 262K colors (R,G,B 6 bit digital each)
- (4) LVDS Interface.
- (5) LCD Power Supply Voltage: 3.3V single power input, built-in power supply circuit.

## 2. PHYSICAL SPECIFICATIONS

Item	Specifications	unit
Display resolution(dot)	800RGB (W) x 600(H)	dots
Active area	211.2 (W) x 158.4(H)	mm
Pixel pitch	88 (W) x 264 (H)	um
Color configuration	R.G.B -stripe	
Overall dimension	236.0(W)x176.9(H)x5.6(D)	mm
Weight	288	g
Backlight unit	LED	
Display color	262,144	colors

### 3. ABSOLUTE MAXIMUM RATINGS

Item	Symbol	Min.	Max.	Unit	Note
Supply voltage range	VDD	-0.5	5	V	
Voltage range at any terminal	V <sub>IN</sub>	-0.5	5	V	(1)
Operating Temperature	Top	-20	70	°C	
Storage Temperature	Tstg	-30	80	°C	

Note

(1): V<sub>IN</sub> represents IN0±, IN1±, IN2±, CLK±

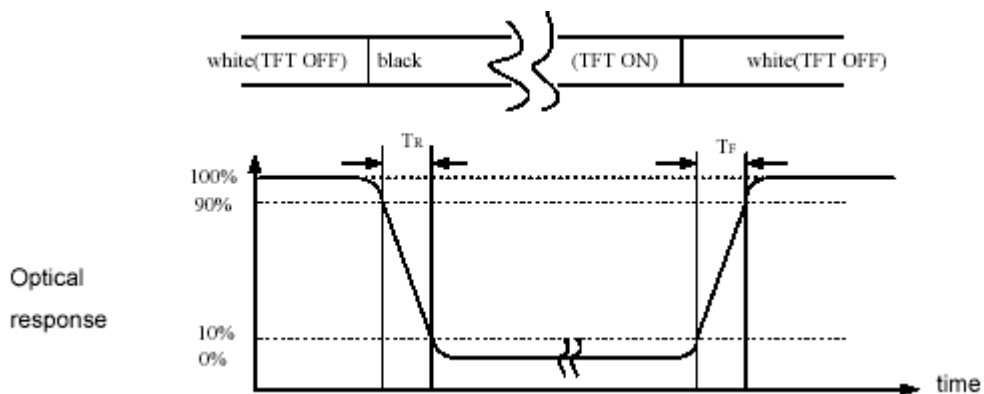
### 4. OPTICAL CHARACTERISTICS

Item	Symbol	Condition	Min.	Typ.	Max.	Unit	Note	
Response Time	T <sub>r</sub> + T <sub>f</sub>	$\Theta = \Phi = 0^\circ$	-	25	40	ms	(1)	
Contrast ratio	CR		--	400	-	-	(2)(3)	
Viewing Angle	$\Theta_T$	CR $\geq$ 10	35	45	-	degree	(5)	
	$\Theta_B$		55	65	-			
	$\Theta_L$		55	65	-			
	$\Theta_R$		55	65	-			
Luminance	L	$\Theta = \Phi = 0^\circ$	280	320	-	cd/m <sup>2</sup>	(3)(4)	
Luminance Uniformity	$\Delta L$		70	80	-	%	(3)(4)	
Color chromaticity	Red		R <sub>x</sub>	0.550	0.600	0.650	-	
			R <sub>y</sub>	0.296	0.346	0.396	-	
	Green		G <sub>x</sub>	0.283	0.333	0.383	-	
			G <sub>y</sub>	0.516	0.566	0.616	-	
	Blue		B <sub>x</sub>	0.092	0.142	0.192	-	
			B <sub>y</sub>	0.065	0.115	0.165	-	
	White		W <sub>x</sub>	0.259	0.309	0.359	-	
			W <sub>y</sub>	0.284	0.334	0.384	-	

NOTE :

- These items are measured by BM-5A(TOPCON) or CA-1000(MINOLTA) in the dark room (no ambient light)

(1) Definition of Response Time (White-Black)



(2) Definition of Contrast Ratio

Measure contrast ratio on the below 5 points (refer to figure 1, #1~#5 point) and take the average value

Contrast ratio is calculated with the following formula :

$$\text{Contrast Ratio (CR)} = (\text{White})\text{Luminance of ON} \div (\text{Black})\text{Luminance of OFF}$$

(3) Definition of Luminance :

Measure the luminance of white state at **center point**.

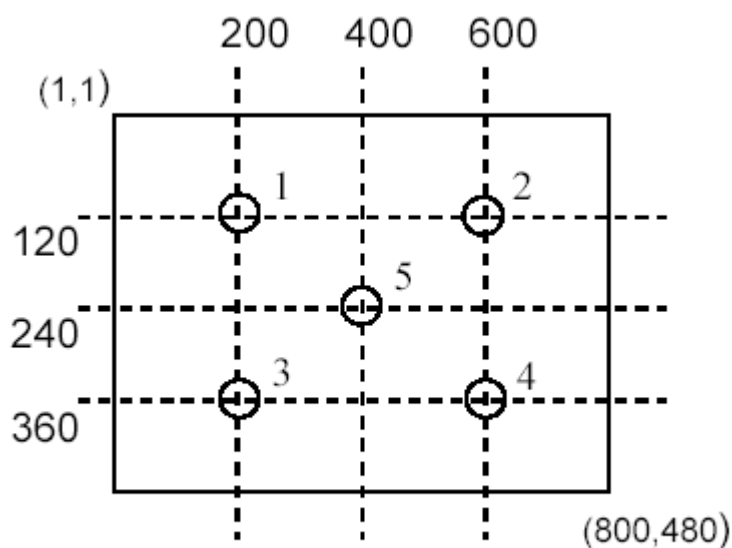


Fig.1 Measuring point

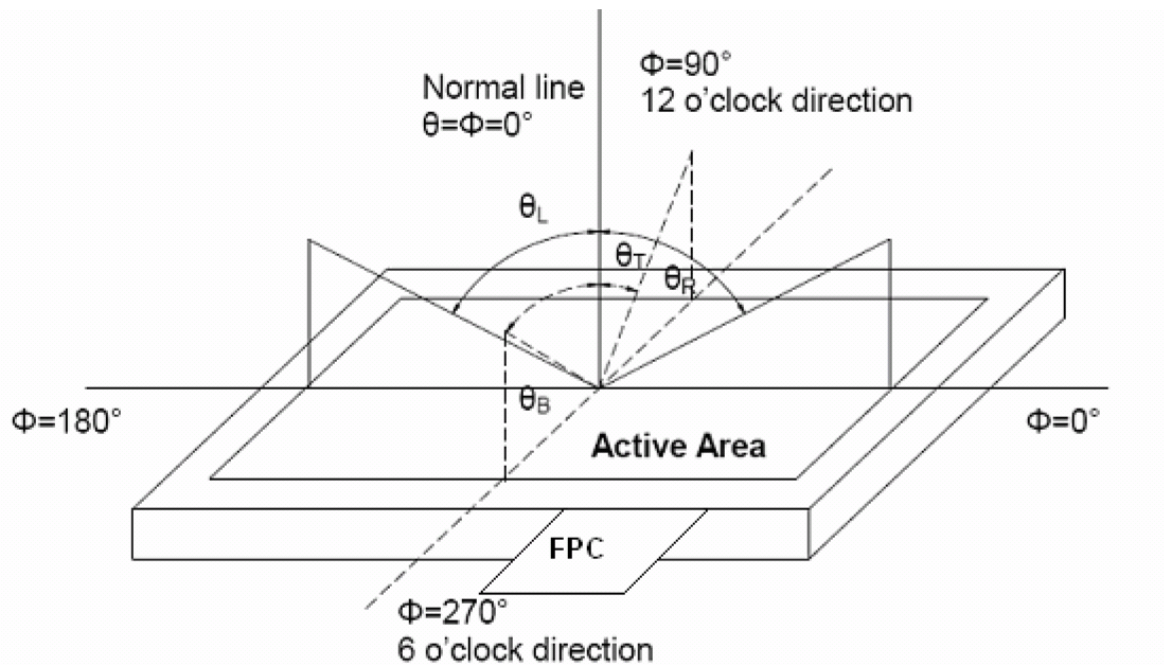
(4) Definition of Luminance Uniformity :

Measured Maximum luminance[L(MAX)] and Minimum luminance[L(MIN)] on the 5 points

Luminance Uniformity is calculated with the following formula :

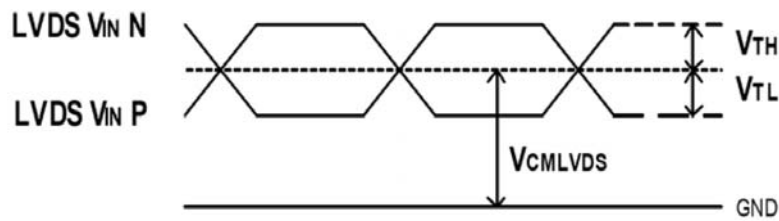
$$\Delta L = [ L(MIN) / L (MAX) ] \times 100\%$$

(5) Definition of Viewing Angle



## 5. ELECTRICAL CHARACTERISTICS

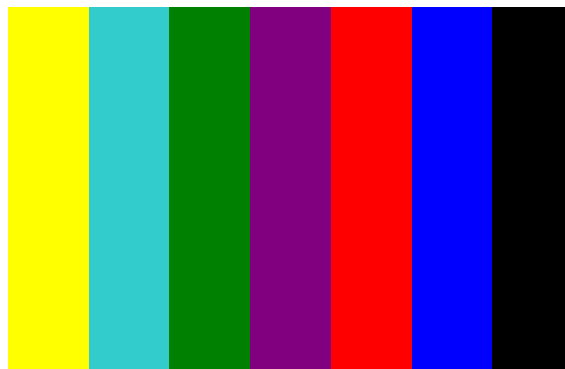
Item	Symbol	Min.	Typ.	Max	Unit	Remarks
LVDS Differential input high threshold	$V_{TH}$	-	-	100	mV	$V_{CMLVDS}=1.2V$
LVDS Differential input low Threshold	$V_{TL}$	-100	-	-	mV	
Differential input voltage	$ V_{ID} $	0.1	-	0.6	V	
LVDS input common mode Voltage	$V_{CMLVDS}$	$ V_{ID} /2$	-	$1.4-( V_{ID} /2)$	V	
Input current	$I_{IN}$	-10	-	10	$\mu A$	
Supply Voltage	VDD	3.0	3.3	3.6	V	
Common Electrode Driving Signal	VCOM	-	4.36	-	V	Note1
Sync Frequency	FVD	-	60	70	Hz	
VDD Power Consumption	$I_{DD}$	-	260	380	mA	Note2



LVDS DC timing diagram

Note1: The value may be different for different LCM.

Note2: To test the current dissipation, using the “color bar” testing pattern shown as below:



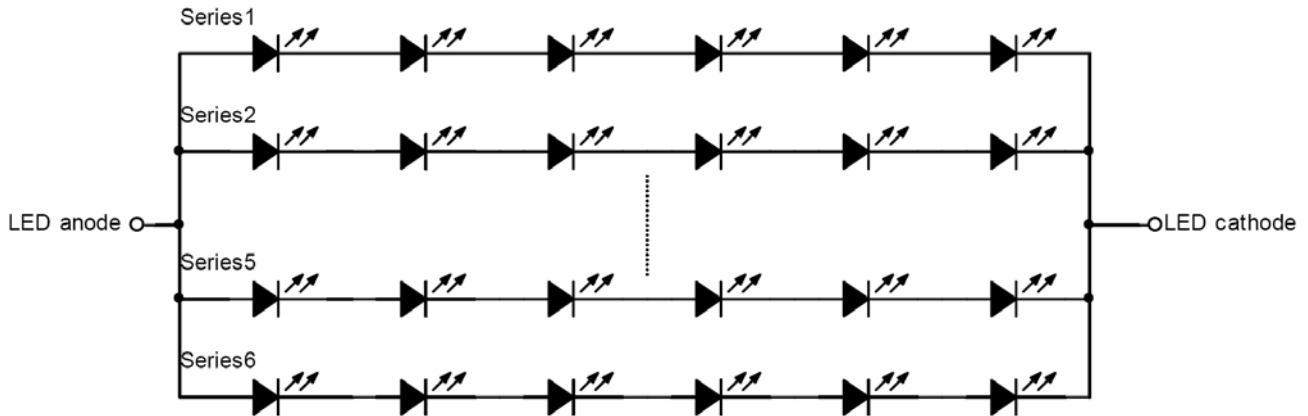
Current dissipation testing pattern



## 6. Backlight Driving Circuit

ITEM	SYMBOL	MIN	TYP	MAX	UNIT	NOTE
Forward Current	$I_F$	-	120.0	-	mA	Note 1
Forward Voltage	$V_F$	18	19.2	21.6	V	Note 1
Backlight Power Consumption	$W_{BL}$	-	2304	-	mW	Note 1

Note 1: LED connection of backlight shown as below:



Note2: One LED:  $I_F = 120\text{mA}$ .

Note3: The Life of LED: 20,000hrs.

6-1 Touch Panel Electrical Specification

Parameter	Condition	Standard Value
Terminal Resistance	X Axis	340 ~ 1090 Ω
	Y Axis	180 ~ 470 Ω
Insulating Resistance	DC 25 V	More than 20MΩ
Linearity	--	±1.5 %
Pen writing Durability	Note a	100,000 times(min)
Input life by finger	Note b	1,000,000 times (min)

**Note A .**

Writing length 35 mm.

Writing speed: 300mm/sec.

Shape of pen end : R0.8

Load : 250 g

**Note B**

By Silicon rubber tapping at same point

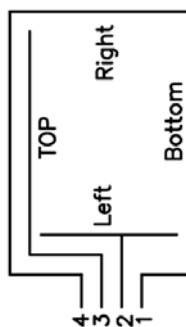
Shape of rubber end : R8

Load : 200g

Frequency : 5 Hz

**Interface**

No.	Symbol	Function
1	YB	Touch Panel Bottom Signal
2	XL	Touch Panel Left Signal
3	YT	Touch Panel Top Signal
4	XR	Touch Panel Right Signal



## 7. INTERFACE

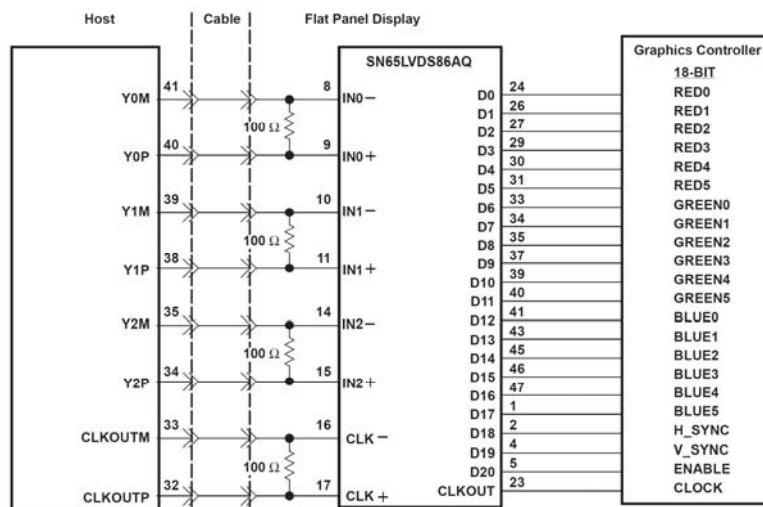
LVDS CN:

Matching connector of Hirose DF19K-20P-1H (56)

Pin no	Symbol	Function
1	VDD	POWER SUPPLY:3.3V
2	VDD	POWER SUPPLY:3.3V
3	Gnd	Power Ground
4	Gnd	Power Ground
5	IN0-	Transmission Data of Pixels
6	IN0+	Transmission Data of Pixels
7	Gnd	Power Ground
8	IN1-	Transmission Data of Pixels 1
9	IN1+	Transmission Data of Pixels 1
10	Gnd	Power Ground
11	IN2-	Transmission Data of Pixels 2
12	IN2+	Transmission Data of Pixels 2
13	Gnd	Power Ground
14	CLK-	Sampling Clock
15	CLK+	Sampling Clock
16	Gnd	Power Ground
17	NC	No Connect
18	NC	No Connect
19	Gnd	Power Ground
20	Gnd	Power Ground

Back Light Connector:

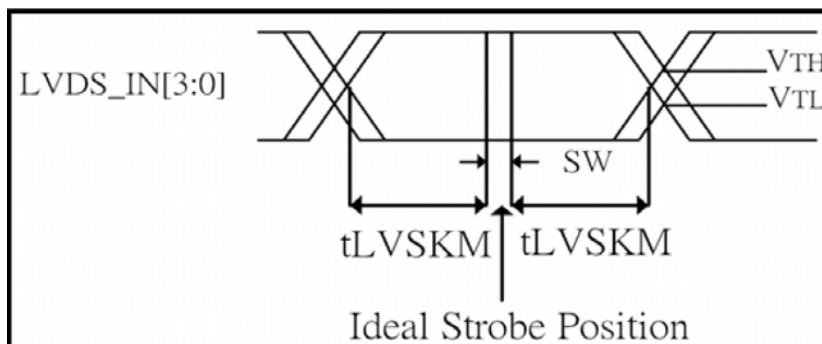
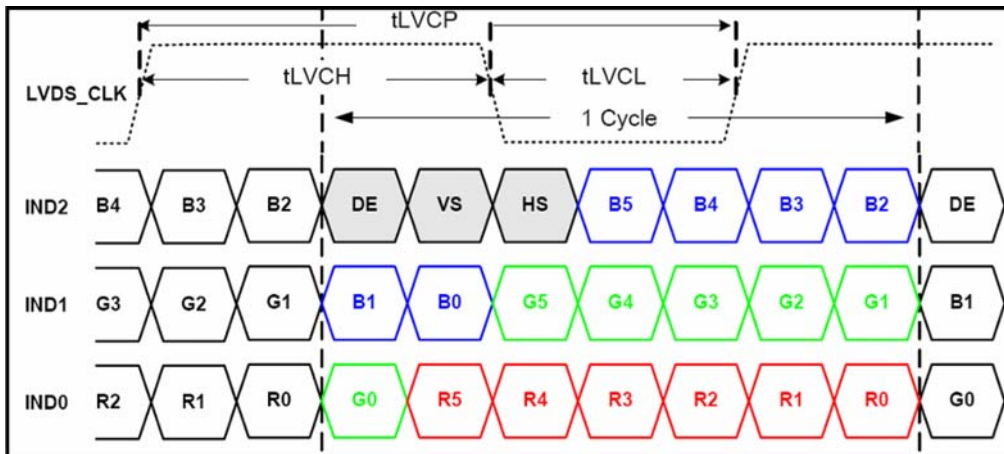
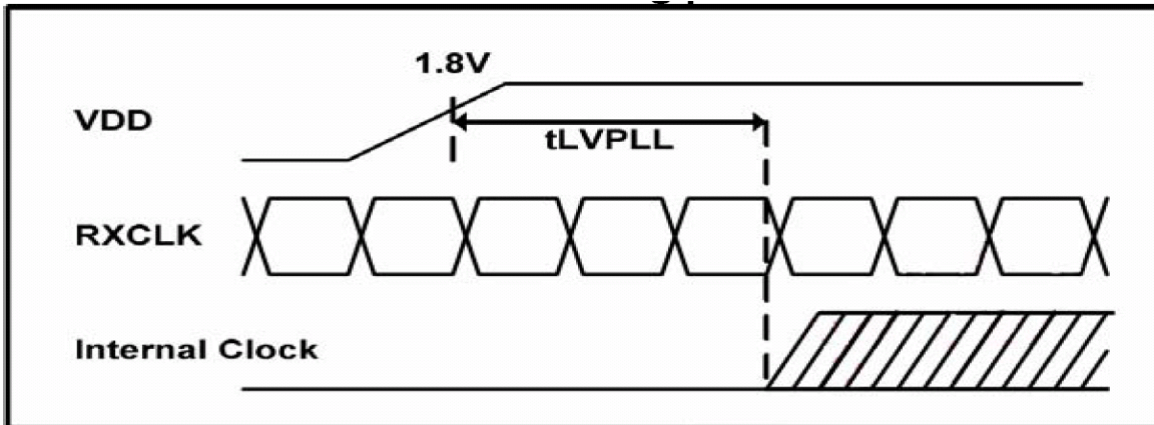
Pin no	Symbol	Function	Wire Color
1	LEDA	LED driving anode (high voltage)	Red
2	LEDK	LED driving cathode (low voltage)	White



## 8. AC Timing characteristic of the LVDS

Timing Parameter:

Item	Symbol	Min	Typ	Max	Unit	Condition
Clock period	tLVCP	20.0	25	31.25	ns	
Clock high time	tLVCH	-	14.29	-	ns	
Clock low time	tLVCL	-	10.71	-	ns	
PLL wake-up time	tLVPLL	-	-	1	ms	
Input skew margin	tLVSKM	400	-	-	ps	f=85MHz

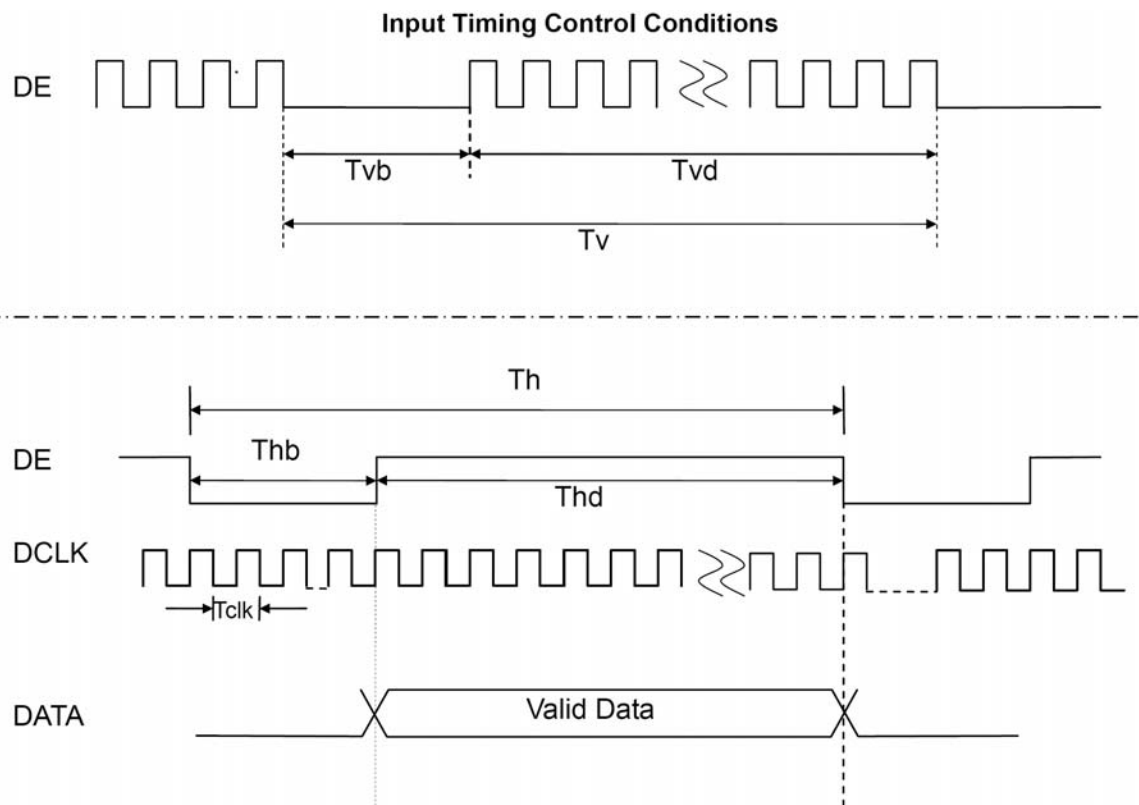


Setup and Hold time

## Recommended Input Timing of LVDS transmitter

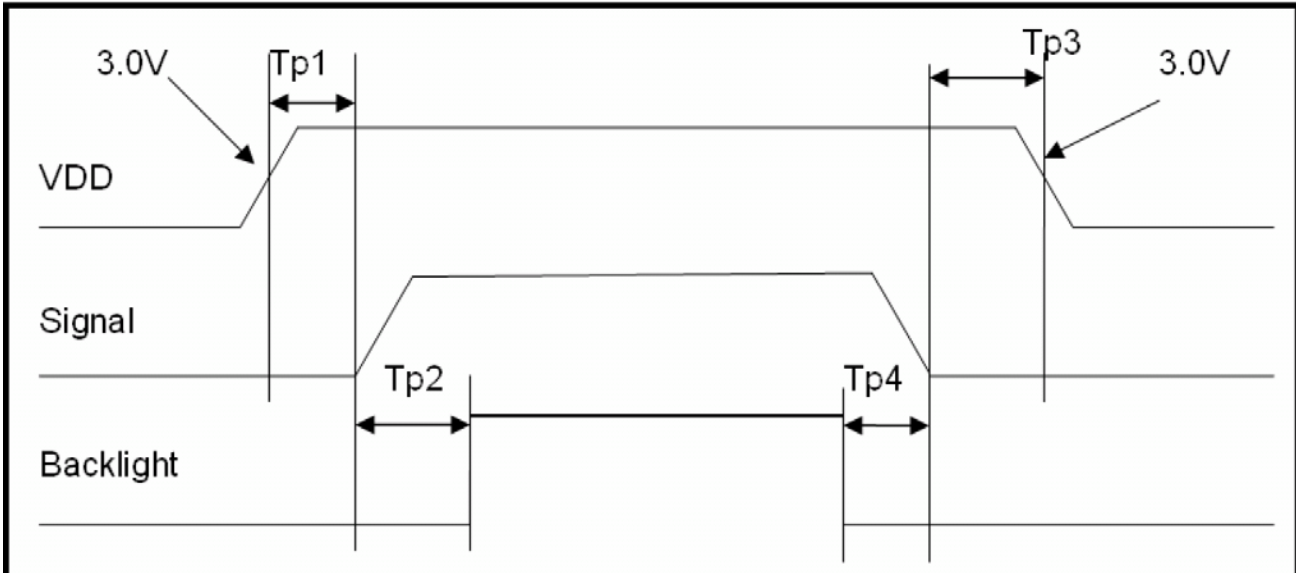
	Parameter	Symbol	Min.	Typ.	Max.	Unit	Remarks
Dclk frequency		$1/T_{clk}$	32	40	50	MHz	
Horizontal section	Horizontal total	$T_h$	866	1056	1064	Tclk	
	Horizontal blanking	$T_{hb}$	66	256	264	Tclk	
	Valid Data Width	$T_{hd}$	800	800	800	Tclk	
Vertical section	Frame rate	-	-	60	70	Hz	
	Vertical total	$T_v$	604	628	800	Th	
	Vertical blanking	$T_{vb}$	4	28	200	Th	
	Valid Data Width	$T_{vd}$	600	600	600	Th	

Note: DE signal is necessary.



### Power On/Off Sequence

Item	Symbol	Min	Typ	Max	Unit	Remark
VDD 3.0V to signal starting	Tp1	0	-	50	ms	
Signal starting to backlight on	Tp2	150	-	-	ms	
Signal off to VDD 3.0V	Tp3	0	-	50	ms	
Backlight off to signal off	Tp4	150	-	-	ms	



## 9 . QUALITY AND RELIABILITY

### 9.1 TEST CONDITIONS

Tests should be conducted under the following conditions :

Ambient temperature :  $25 \pm 5^{\circ}\text{C}$

Humidity :  $60 \pm 25\% \text{ RH}$ .

### 9.2 SAMPLING PLAN

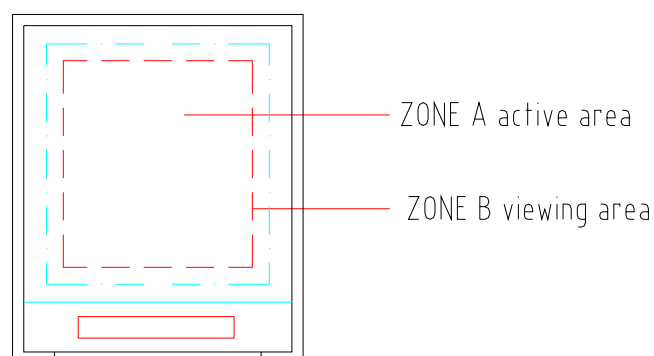
Sampling method shall be in accordance with MIL-STD-105E , level II, normal single sampling plan .

### 9.3 ACCEPTABLE QUALITY LEVEL

A major defect is defined as one that could cause failure to or materially reduce the usability of the unit for its intended purpose. A minor defect is one that does not materially reduce the usability of the unit for its intended purpose or is an infringement from established standards and has no significant bearing on its effective use or operation.

### 9.4 APPEARANCE

An appearance test should be conducted by human sight at approximately 30 cm distance from the LCD module under florescent light. The inspection area of LCD panel shall be within the range of following limits.



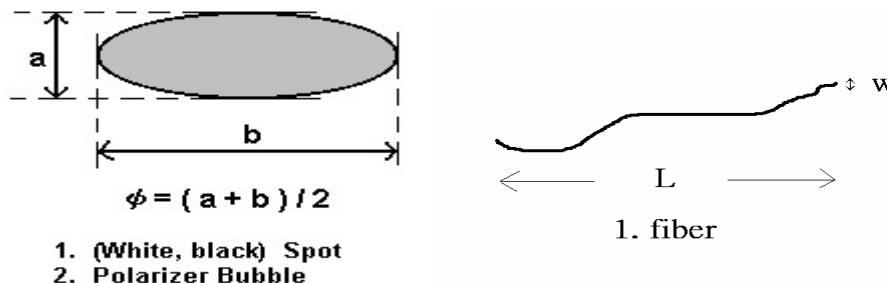
## 9.5 INCOMING INSPECTION STANDARD FOR TFT-LCD PANEL

DEFECT TYPE		LIMIT				Note			
VISUAL DEFECT	INTERNAL	SPOT	$\varphi < 0.15\text{mm}$		Ignore	Note1			
			$0.15\text{mm} \leq \varphi \leq 0.5\text{mm}$		$N \leq 4$				
			$0.5\text{mm} < \varphi$		$N = 0$				
		FIBER	$0.03\text{mm} < W \leq 0.1\text{mm}, L \leq 5\text{mm}$		$N \leq 3$	Note1			
			$1.0\text{mm} < W, 1.5\text{mm} < L$		$N = 0$				
		POLARIZER BUBBLE	$\varphi < 0.15\text{mm}$		Ignore		Note1		
	$0.15\text{mm} \leq \varphi \leq 0.5\text{mm}$		$N \leq 2$						
	$0.5\text{mm} < \varphi$		$N = 0$						
Mura	It' OK if mura is slight visible through 6%ND filter								
ELECTRICAL DEFECT	BRIGHT DOT		A Grade			B Grade			
			C Area	O Area	Total	C Area	O Area	Total	Note3
			$N \leq 0$	$N \leq 2$	$N \leq 2$	$N \leq 2$	$N \leq 3$	$N \leq 5$	Note2
	DARK DOT		$N \leq 2$	$N \leq 3$	$N \leq 3$	$N \leq 3$	$N \leq 5$	$N \leq 8$	
	TOTAL DOT		$N \leq 4$			$N \leq 5$	$N \leq 6$	$N \leq 8$	Note2
	TWO ADJACENT DOT		$N \leq 0$	$N \leq 1$ pair	$N \leq 1$ pair	$N \leq 1$ pair	$N \leq 1$ pair	$N \leq 1$ pair	Note4
	THREE OR MORE ADJACENT DOT		NOT ALLOWED						
	LINE DEFECT		NOT ALLOWED						

(1) One pixel consists of 3 sub-pixels, including R,G, and B dot.(Sub-pixel = Dot)

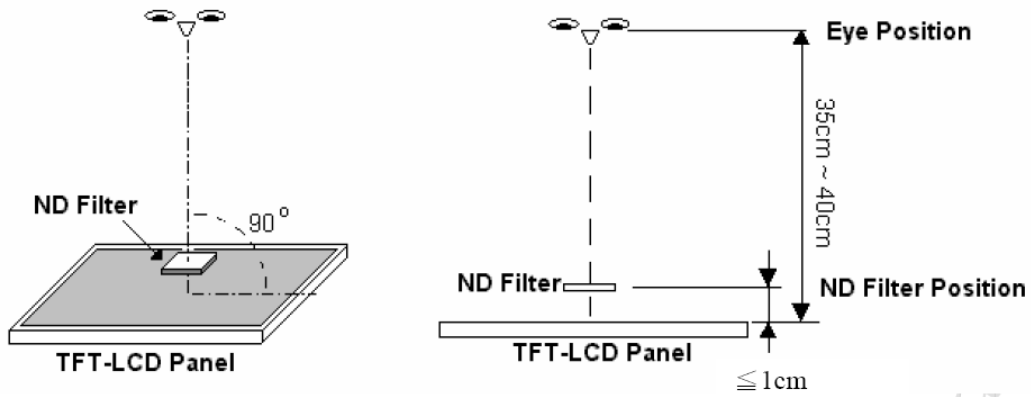
(2) LITTLE BRIGHT DOT ACCEPTABLE UNDER 6 % ND-Filter

[Note1] W : Width[mm], L : Length[mm], N : Number,  $\varphi$  : Average Diameter

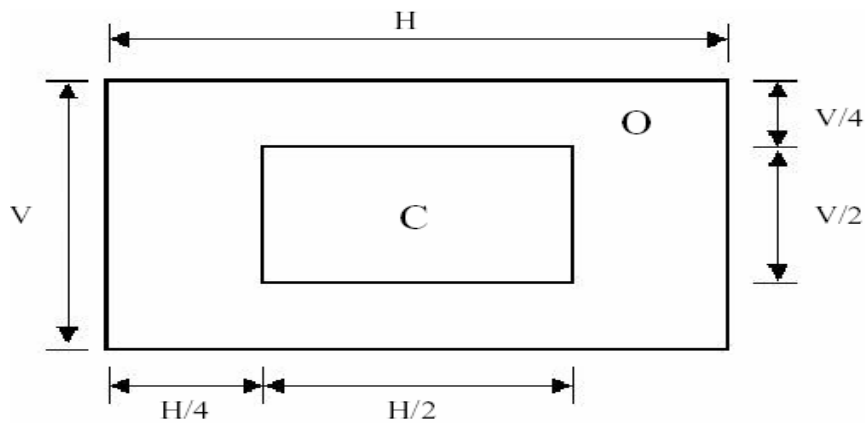


[Note2] Bright dot is defined through 6% transmission ND Filter as following.





[Note3]

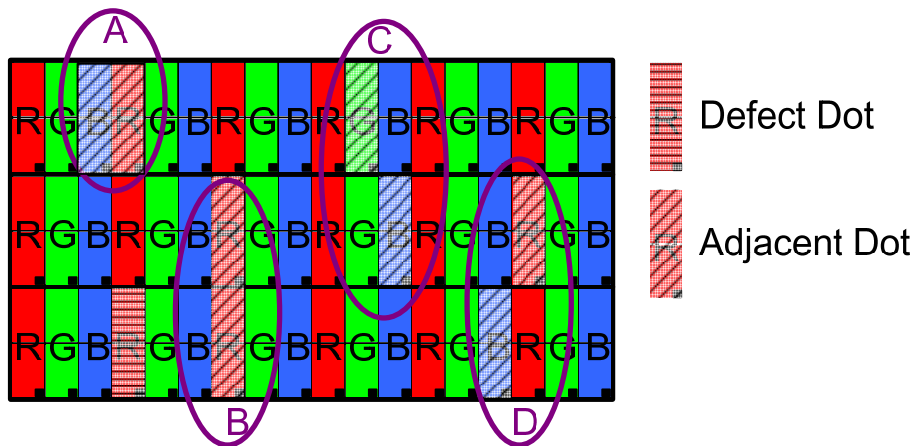


**C Area: Center of display area**

**O Area: Outer of display area**

[Note4]

Judge defect dot and adjacent dot as following. Allow below (as A, B, C and D status) adjacent defect dots, including bright and dark adjacent dot. And they will be counted 2 defect dots in total quantity.



- (1) The defects that are not defined above and considered to be problem shall be reviewed and discussed by both parties.
- (2) Defects on the Black Matrix, out of Display area, are not considered as a defect or counted.

## 9.6 Reliability Test

Test Item	Test Conditions	Note
High Temperature Operation	70±3°C , t=96 hrs	
Low Temperature Operation	-20±3°C , t=96 hrs	
High Temperature Storage	80±3°C , t=96 hrs	1,2
Low Temperature Storage	-30±3°C , t=96 hrs	1,2
Thermal Shock Test	-20°C ~ 25°C ~ 70°C 30 m in. 5 min. 30 min. ( 1 cycle ) Total 5 cycle	1,2
Humidity Test	60 °C, Humidity 90%, 96 hrs	1,2
Vibration Test (Packing)	Sweep frequency : 10 ~ 55 ~ 10 Hz/1min Amplitude : 0.75mm Test direction : X.Y.Z/3 axis Duration : 30min/each axis	2

Note 1 : Condensation of water is not permitted on the module.

Note 2 : The module should be inspected after 1 hour storage in normal conditions  
(15-35°C , 45-65%RH).

Definitions of life end point :

- Current drain should be smaller than the specific value.
- Function of the module should be maintained.
- Appearance and display quality should not have degraded noticeably.
- Contrast ratio should be greater than 50% of the initial value.

## **10. USE PRECAUTIONS**

### **10.1 Handling precautions**

- 1) The polarizing plate may break easily so be careful when handling it. Do not touch, press or rub it with a hard-material tool like tweezers.
- 2) Do not touch the polarizing plate surface with bare hands so as not to make it dirty. If the surface or other related part of the polarizing plate is dirty, soak a soft cotton cloth or chamois leather in benzene and wipe off with it. Do not use chemical liquids such as acetone, toluene and isopropyl alcohol. Failure to do so may bring chemical reaction phenomena and deteriorations.
- 3) Remove any spit or water immediately. If it is left for hours, the suffered part may deform or decolorize.
- 4) If the LCD element breaks and any LC stuff leaks, do not suck or lick it. Also if LC stuff is stuck on your skin or clothing, wash thoroughly with soap and water immediately.

### **10.2 Installing precautions**

- 1) The PCB has many ICs that may be damaged easily by static electricity. To prevent breaking by static electricity from the human body and clothing, earth the human body properly using the high resistance and discharge static electricity during the operation. In this case, however, the resistance value should be approx.  $1M\Omega$  and the resistance should be placed near the human body rather than the ground surface. When the indoor space is dry, static electricity may occur easily so be careful. We recommend the indoor space should be kept with humidity of 60% or more. When a soldering iron or other similar tool is used for assembly, be sure to earth it.
- 2) When installing the module and ICs, do not bend or twist them. Failure to do so may crack LC element and cause circuit failure.
- 3) To protect LC element, especially polarizing plate, use a transparent protective plate (e.g., acrylic plate, glass etc) for the product case.
- 4) Do not use an adhesive like a both-side adhesive tape to make LCD surface (polarizing plate) and product case stick together. Failure to do so may cause the polarizing plate to peel off.

### **10.3 Storage precautions**

- 1) Avoid a high temperature and humidity area. Keep the temperature between  $0^{\circ}\text{C}$  and  $35^{\circ}\text{C}$  and also the humidity under 60%.
- 2) Choose the dark spaces where the product is not exposed to direct sunlight or fluorescent light.
- 3) Store the products as they are put in the boxes provided from us or in the same conditions as we recommend.

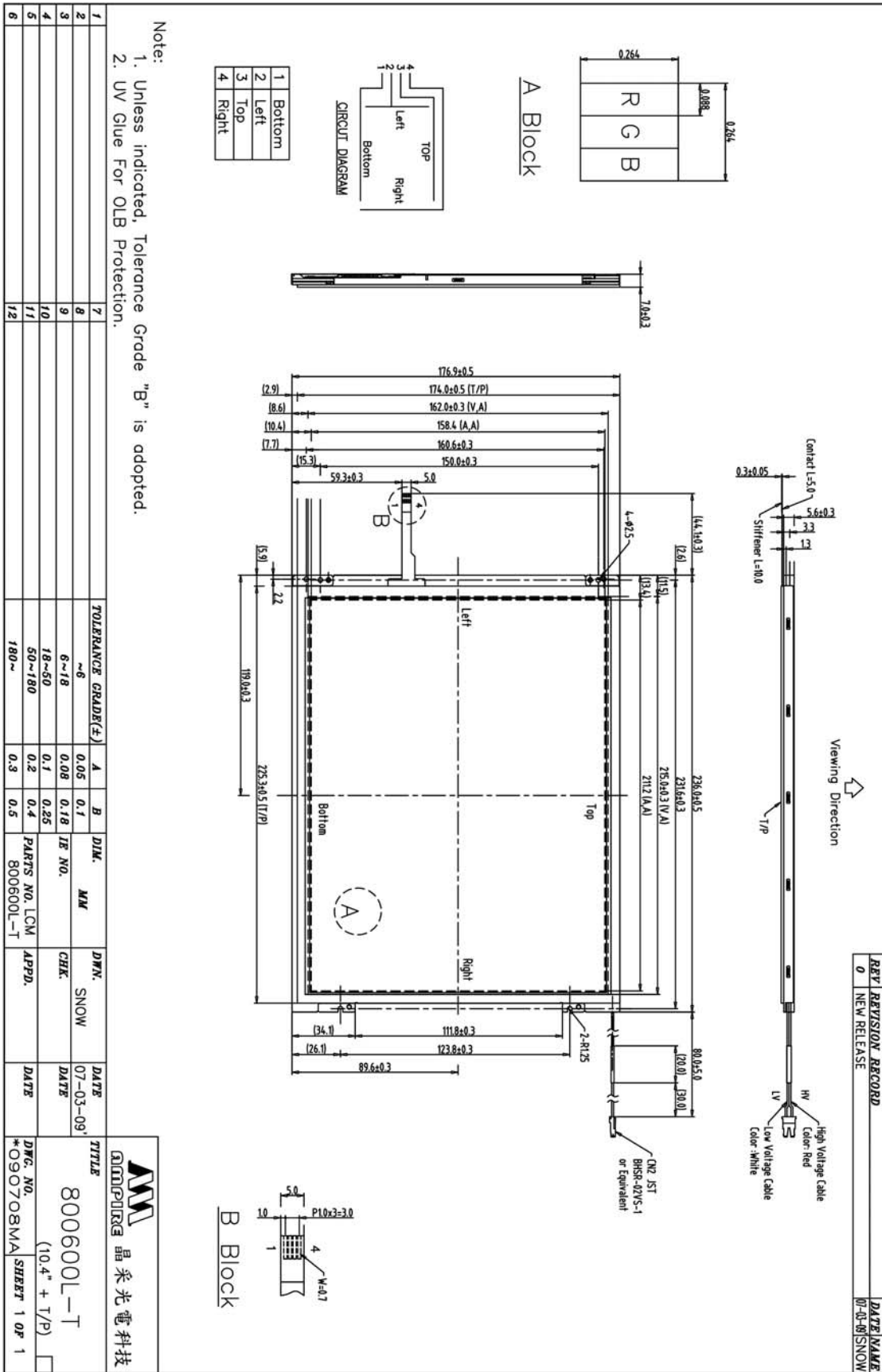
#### **10.4 Operating precautions**

- 1) Do not boost the applied drive voltage abnormally. Failure to do so may break ICs. When applying power voltage, check the electrical features beforehand and be careful. Always turn off the power to the LC module controller before removing or inserting the LC module input connector. If the input connector is removed or inserted while the power is turned on, the LC module internal circuit may break.
- 2) The display response may be late if the operating temperature is under the normal standard, and the display may be out of order if it is above the normal standard. But this is not a failure; this will be restored if it is within the normal standard.
- 3) The LCD contrast varies depending on the visual angle, ambient temperature, power voltage etc. Obtain the optimum contrast by adjusting the LC drive voltage.
- 4) When carrying out the test, do not take the module out of the low-temperature space suddenly. Failure to do so will cause the module condensing, leading to malfunctions.
- 5) Make certain that each signal noise level is within the standard (L level: 0.2V<sub>dd</sub> or less and H level: 0.8V<sub>dd</sub> or more) even if the module has functioned properly. If it is beyond the standard, the module may often malfunction. In addition, always connect the module when making noise level measurements.
- 6) The CMOS ICs are incorporated in the module and the pull-up and pull-down function is not adopted for the input so avoid putting the input signal open while the power is ON.
- 7) The characteristic of the semiconductor element changes when it is exposed to light emissions, therefore ICs on the LCD may malfunction if they receive light emissions. To prevent these malfunctions, design and assemble ICs so that they are shielded from light emissions.
- 8) Crosstalk occurs because of characteristics of the LCD. In general, crosstalk occurs when the regularized display is maintained. Also, crosstalk is affected by the LC drive voltage. Design the contents of the display, considering crosstalk.

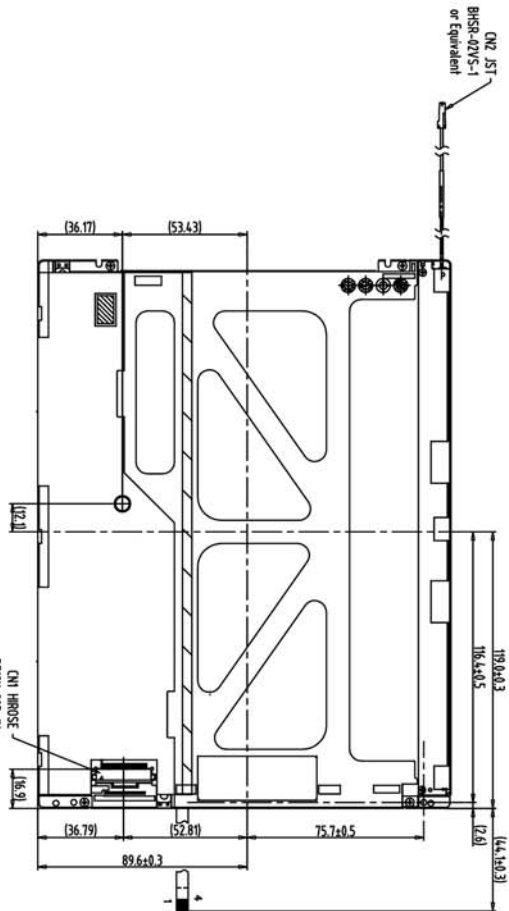
#### **10.5 Other**

- 1) Do not disassemble or take the LC module into pieces. The LC modules once disassembled or taken into pieces are not the guarantee articles.
- 2) The residual image may exist if the same display pattern is shown for hours. This residual image, however, disappears when another display pattern is shown or the drive is interrupted and left for a while. But this is not a problem on reliability.
- 3) AMIPRE will provide one year warranty for all products and three months warrantee for all repairing products.

# 11. OUTLINE DIMENSION



REV.	REVISION RECORD	DATE NAME
0	NEW RELEASE	07-03-SNOW



CN2	
1	VL1
2	VL2

CN1	
1	VDD
2	VDD
3	GND
4	GND
5	IN0-
6	IN0+
7	GND
8	IN1-
9	IN1+
10	GND
11	IN2-
12	IN2+
13	GND
14	CLK-
15	CLK+
16	GND
17	NC
18	NC
19	GND
20	GND

Back View

Note:  
 1. Unless indicated, Tolerance Grade "B" is adopted.  
 2. UV Glue For OLB Protection.

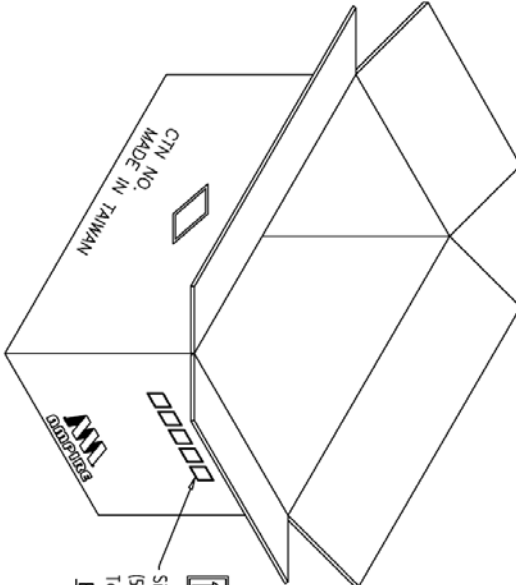
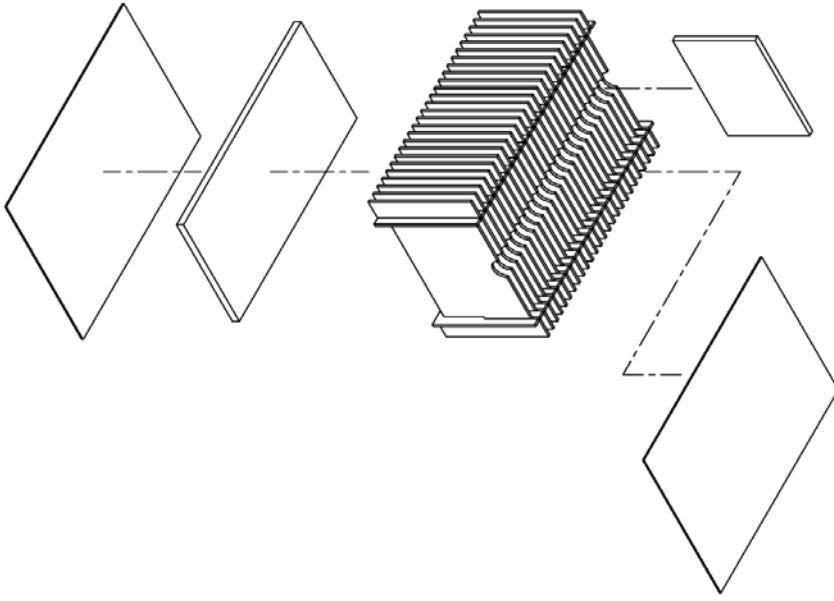
		TOLERANCE GRADE(F)		DIM.		DWG. NO.		DATE	
1	7	-6	A	0.05	0.1	MM	APPRD.	DATE	TITLE
2	8	6~18	B	0.08	0.18	CHK.		DATE	800600L-T
3	9	18~50		0.1	0.25			DATE	(10.4" + T/P)
4	10	50~180		0.2	0.4			DATE	
5	11	180~		0.3	0.5			DATE	
6	12							DATE	
				PARTS NO. (CM-1)		DWG. NO.		SHEET 1 OF 1	
				800600L-T		*090709MA			



# 12. Packing

Note:

1. Bag = 1 PCS LCM
2. Big Box = 1 x 25 = 25 PCS LCM



Size: L x W x H  
 (521 0x364 0x248.0mm)  
 Tolerance:±100  
 Big Box



REV.	REVISION RECORD	DATE	NAME
0	NEW RELEASE	09-17-09	BM-I-MSNOW
1	Rename TF800600-41-0 to 800600L-D0		BM-I-MSNOW

NO.	ITEM NO.	TOLERANCE GRADE(%)	A	B	DIM.	MM	DWN.	SNOW	DATE	TITLE
1	TF800600-41-0									
2		~6	0.05	0.1					09-17-09	800600L-TD0
3		6~18	0.08	0.18	IE NO.		CHK.		DATE	(10.4")
4		18~50	0.1	0.25						
5		50~180	0.2	0.4	PARTS NO. Packing	800600L-TD0	APPD.		DATE	
6		180~	0.3	0.5						
										DWG. NO. *0909.355A
										SHEET 1 OF 1

**AMPPIRE** 晶采光電科技